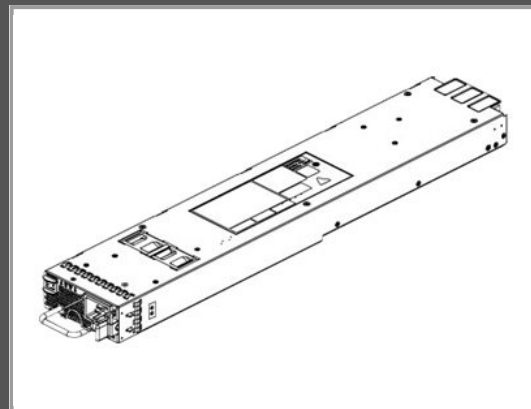


Cisco Power supply - hot-plug / redundant (plug-in module)

AC 100-240 V - 3 kW - for Catalyst 6880-X-Chassis (Standard Tables)

Group	Power Supply
Manufacturer	Cisco
Manufacturer item no.	C6880-X-3KW-AC=
EAN/UPC	0882658637940



Description

Cisco - Power supply - hot-plug / redundant (plug-in module) - AC 100-240 V - 3 kW - for Catalyst 6880-X-Chassis (Standard Tables)

Main features

Product Description	Cisco - power supply - hot-plug / redundant - 3 kW
Device Type	Power supply - hot-plug / redundant - plug-in module
Weight	2.27 kg
Input Voltage	AC 100-240 V
Power Capacity	3 kW
Dimensions (WxDxH)	10 cm x 55.9 cm x 4.1 cm
Designed For	Catalyst 6880-X-Chassis (Standard Tables)

Extended details

General

Device Type Power supply - hot-plug / redundant - plug-in module

Power Device

Input Voltage AC 100-240 V
 Input Voltage Range AC 85 - 264 V
 Frequency Required 47 - 63 Hz
 Power Capacity 3 kW

Environmental Parameters

Min Operating Temperature 0 °C
 Max Operating Temperature 40 °C
 Humidity Range Operating 10 - 90% (non-condensing)

Dimensions & Weight

Width 10 cm
 Depth 55.9 cm

Height	4.1 cm
--------	--------

Weight	2.27 kg
--------	---------

Compatibility Information	
----------------------------------	--

Designed For	Cisco Catalyst 6880-X-Chassis (Standard Tables)
--------------	---

Technical data © 1WorldSync. Subject to technical modifications and errors.