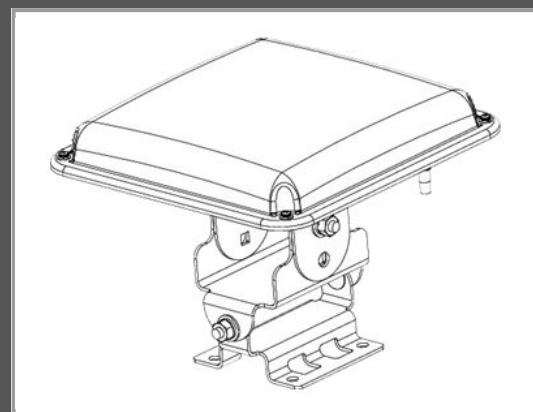


Cisco Aironet 5-GHz 14-dBi Directional Antenna

Antenna - 14 dBi - directional - outdoor - pole mount

Group	Antennas
Manufacturer	Cisco
Manufacturer item no.	AIR-ANT5114P2M-N=
EAN/UPC	0882658554766



Description

The antenna operates in the 5-GHz frequency band and is designed for use in outdoor environments.

Main features

Product Description	Cisco Aironet 5-GHz 14-dBi Directional Antenna - antenna
Product Type	Antenna
Dimensions (WxDxH)	19.8 cm x 19.8 cm x 3 cm
Weight	0.61 kg
Aerial Placing / Mounting	Outdoor, pole mount
Frequency Range	5.15 - 5.9 GHz
Gain	14 dBi
Directivity	Directional

Extended details

General	
Product Type	Antenna
Width	19.8 cm
Depth	19.8 cm
Height	3 cm
Weight	0.61 kg
Cable Length	76.2 cm
Aerial	
Aerial Placing / Mounting	Outdoor, pole mount
Frequency Range	5.15 - 5.9 GHz
Gain	14 dBi
Directivity	Directional
Horizontal Beamwidth	30°
Vertical Beamwidth	30°
Impedance	50 Ohm

Cabling & Wiring

Connector Provided	2 x N connector male
--------------------	----------------------

Environmental Parameters

Min Operating Temperature	-40 °C
---------------------------	--------

Max Operating Temperature	55 °C
---------------------------	-------

Technical data © 1WorldSync. Subject to technical modifications and errors.