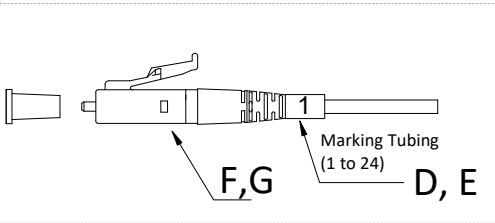
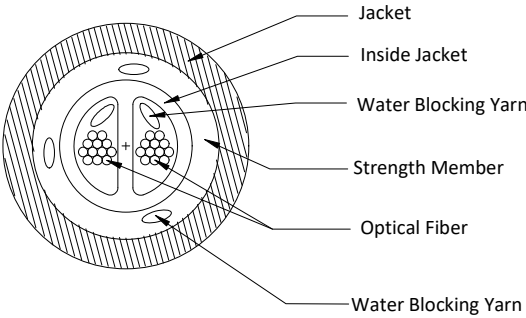


- 01 Blue
- 02 Orange
- 03 Green
- 04 Brown
- 05 Gray
- 06 White
- 07 Red
- 08 Black
- 09 Yellow
- 10 Purple
- 11 Pink
- 12 Aqua
- 13 Blue
- 14 Orange
- 15 Green
- 16 Brown
- 17 Gray
- 18 White
- 19 Red
- 20 Black
- 21 Yellow
- 22 Purple
- 23 Pink
- 24 Aqua

- 01 Blue
- 02 Orange
- 03 Green
- 04 Brown
- 05 Gray
- 06 White
- 07 Red
- 08 Black
- 09 Yellow
- 10 Purple
- 11 Pink
- 12 Aqua
- 13 Blue
- 14 Orange
- 15 Green
- 16 Brown
- 17 Gray
- 18 White
- 19 Red
- 20 Black
- 21 Yellow
- 22 Purple
- 23 Pink
- 24 Aqua



ACT Multimode Fiber Optic Indoor / Outdoor cable 50/125 OM4

Item : RL48xx

Revision : 1.1

Date : 16-04-2024

This drawing is proprietary information of ACT Connectivity Solutions and confidential and provided to you for internal use on a need to know basis only. This document may not be duplicated or disseminated to any third party without the prior explicit written consent of ACT Connectivity Solutions. Copies of this document, Printed or electronic, are uncontrolled and intended only for immediate use.

Drawn by : M. Diks

Specifications Installation cable (A)	
Type	Indoor/Outdoor cable
Outer diameter	6.5mm
Tensile strength	350N
Operation temp.	-20°C to +70°C
Storage temp.	-40°C to +85°C
Outer Jacket	LSZH
Cable colour	Black
UV resistance	Yes
Cable printing	CE MM/YY ACT 24F 50/125 OM4 10280010 xxxxM DoP: 1320-2231 B2ca, s1, d1, a1 NB0598 Communications supply in-/outdoor (MM=month, YY=year)
Specifications Heat Shrink Tubing (B,C)	
Length	80mm
Specifications Fanout cable (D,E)	
Type	Tubing
Outer diameter	0.9mm
Operation temp.	-20°C to +70°C
Storage temp.	-40°C to +85°C
Colors	Blue, Orange, Green, Brown, Gray, White, Red, Black, Yellow, Purple, Pink, Aqua
Cable marking	1 to 24
Fanout length	500mm (+50mm-0mm) - 940mm (+50mm-0mm)
Fanout staggered increments	40mm
Specifications Connector (F,G)	
Connector	LC
Polishing Connector	UPC
Ferrule Connector	Ceramic Zirconia (ZrO2)
Ferrule Diameter	1.25mm
Housing	Ivory (PC)
Boot	White (TPV)
Cap	White (PE)



Drawn by : M. Diks

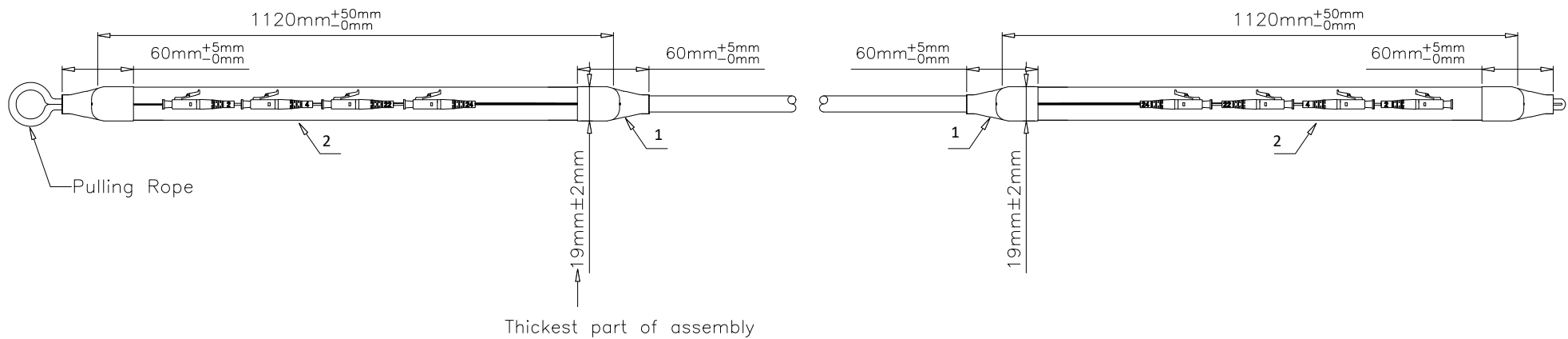
ACT Multimode Fiber Optic Indoor / Outdoor cable 50/125 OM4

Item : RL48xx

Revision : 1.1

Date : 16-04-2024

This drawing is proprietary information of ACT Connectivity Solutions and confidential and provided to you for internal use on a need to know basis only. This document may not be duplicated or disseminated to any third party without the prior explicit written consent of ACT Connectivity Solutions. Copies of this document, printed or electronic, are uncontrolled and intended only for immediate use.



Item	Length(m)	Item	Length(m)
RL4835	5	RL4816	160
RL4801	10	RL4817	170
RL4802	20	RL4818	180
RL4803	30	RL4819	190
RL4804	40	RL4820	200
RL4805	50	RL4821	210
RL4806	60	RL4822	220
RL4807	70	RL4823	230
RL4808	80	RL4824	240
RL4809	90	RL4825	250
RL4810	100	RL4826	260
RL4811	110	RL4827	270
RL4812	120	RL4828	280
RL4813	130	RL4829	290
RL4814	140	RL4830	300
RL4815	150		

Specifications heat shrink tubing (1)	
Length	60mm

Specifications protective tube (2)	
Material	PVC
Color	Transparent
Dimensions	1120mm(+50mm -0mm) x 15mm x 18mm

Length (m)	Reel Weight (KG)	Reel dimension (mm)
120	1.7	327 (H) x 345 (ø)
121-240	1.9	327 (H) x 400 (ø)
241-330	2.8	330 (H) x 450 (ø)
331-420	3.1	330 (H) x 480 (ø)
≥421	3.3	400 (H) x 480 (ø)



Drawn by : M. Diks

ACT Multimode Fiber Optic Indoor / Outdoor cable 50/125 OM4

Item : RL48xx

Revision : 1.1

Date : 16-04-2024

This drawing is proprietary information of ACT Connectivity Solutions and confidential and provided to you for internal use on a need to know basis only. This document may not be duplicated or disseminated to any third party without the prior explicit written consent of ACT Connectivity Solutions. Copies of this document, Printed or electronic, are uncontrolled and intended only for immediate use.

Specifications fiber	
Fiber type	Multimode
Fiber class	OM4
Diameter core / cladding	50/125
Specifications optical performance	
Insertion Loss (IL) typical	0.1 dB
Insertion Loss (IL) maximum	0.15 dB
Return Loss (RL)	≥ 35 dB
Standard compliances	
IEC 61754-20	Fibre optic connector interfaces - Type LC connector family
IEC 61300-3-47	Examinations and measurements - End face geometry of PC/APC spherically polished ferrules using interferometry
IEC 60794-2-20	Indoor cables - Family specification for multi-fibre optical cables
IEC 60794-1-2	Basic optical cable test procedures
IEC 60332-1-2	Test for vertical flame propagation for a single insulated wire or cable
IEC 60754-1	Determination of the halogen acid gas content
IEC 60754-2	Determination of acidity (by pH measurement) and conductivity
IEC 61034-2	Measurement of smoke density of cables burning under defined conditions



ACT Multimode Fiber Optic Indoor / Outdoor cable 50/125 OM4

Item : RL48xx

Revision : 1.1

Date : 16-04-2024

Drawn by : M. Diks

This drawing is proprietary information of ACT Connectivity Solutions and confidential and provided to you for internal use on a need to know basis only. This document may not be duplicated or disseminated to any third party without the prior explicit written consent of ACT Connectivity Solutions. Copies of this document, printed or electronic, are uncontrolled and intended only for immediate use.