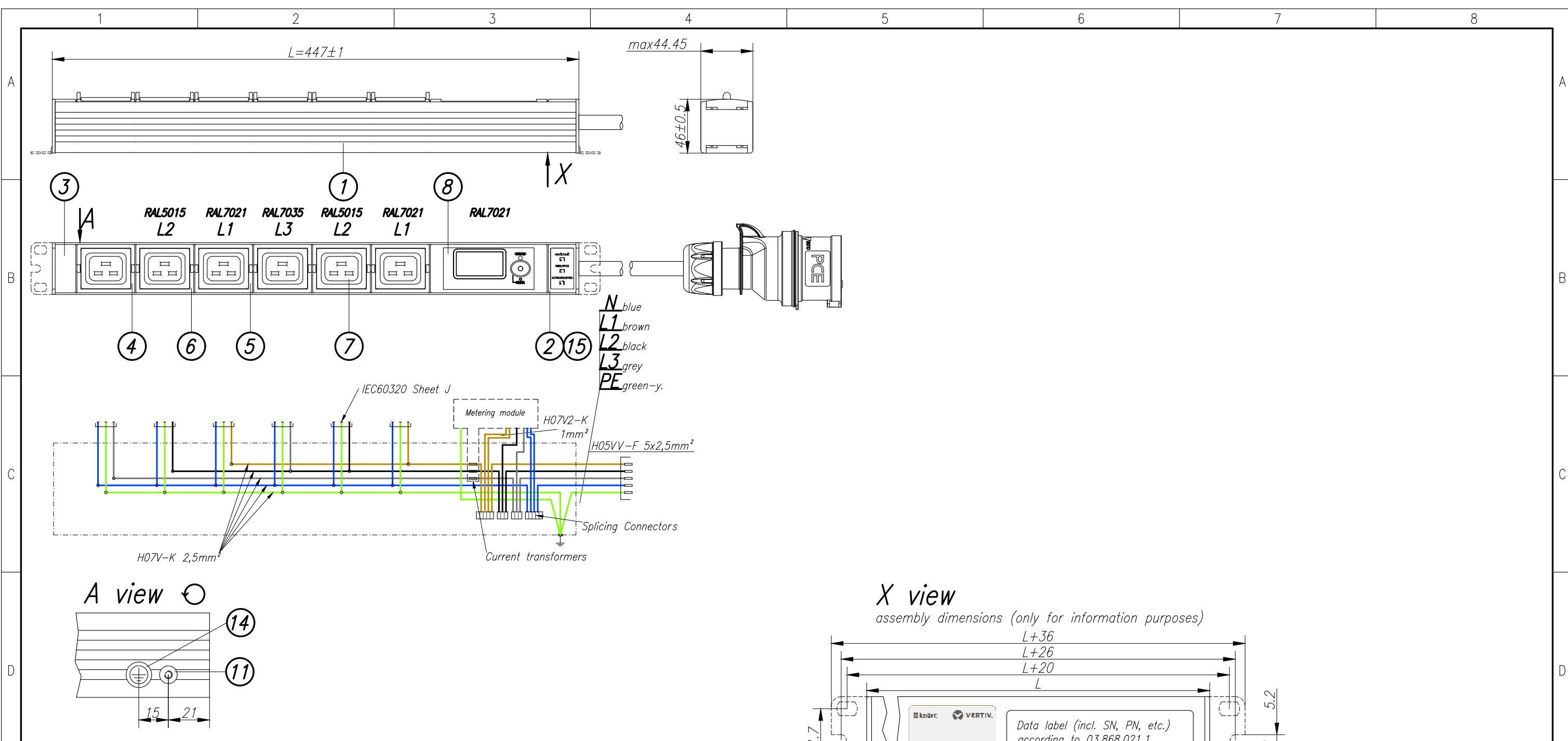


Disclosure and photocopying of this document, exploitation and communication of its contents are not permitted, unless permission is expressly granted. All rights are reserved.



Technical data:
 - with DI-STRIP D module
 - 6x IEC60320 Sheet J 16A socket
 socket spacing 50mm, torsion of sockets 90°
 - Operating temperature: 0 ... +50 °C

knürr. VERTIV.
DI-STRIP D
 Input 3~100-240/173-415 Vac, 50-60 Hz, max. 3x16 A
 Output 1~100-240 Vac
 Outlets max. 16 A (Sheet J)
 www.VertivCo.com Made in HU
 Knürr GmbH, D-94424 Arnstorf

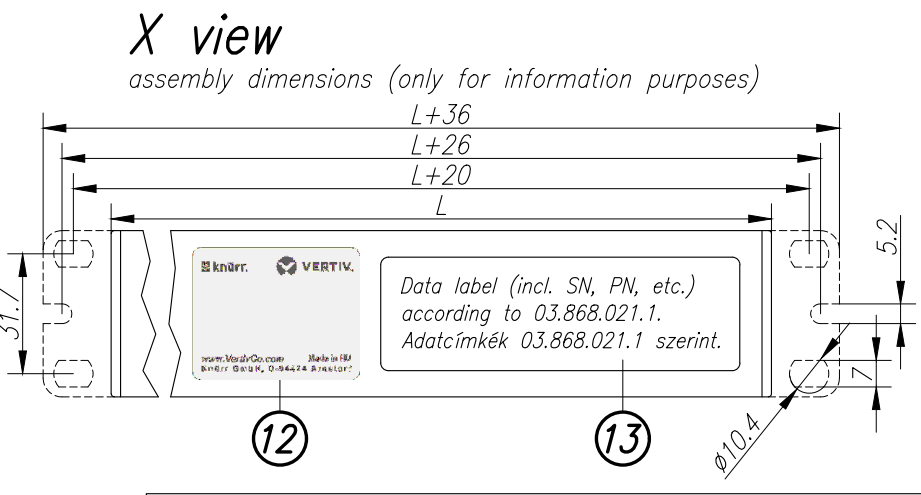
Load rating:
 100-240/173-415 Vac, 50-60 Hz
 Input: 3x 16 A
 Output: 16 A (Sheet J)

Approvals/certificates:
 - CE marking according to: LVD (low voltage directive), EMC (electromagnetic compatibility) RoHS (restriction of hazardous substances)
 - BV-BG certification (factory inspected)

Power cord:
 Type: H05VV-F 5x2,5mm², black
 Length: 2,5m
 Plug: IEC60309 3Ph/N/PE 6h

Material/Finish:
 Chassis: closed sheet steel extrusion, zincplated, powder-coated texture
 Plastic parts: Vampamid 6 0024 VO (UL94) or similar, recyclable
 Internal conduction: copper wires
 Internal copper wires: H05V2-K 1mm², H07V-K 2.5mm²
Color:
 Chassis: RAL7035 light grey
 Plastic parts: RAL7021 black grey, RAL5015 sky blue, RAL7035 light grey

Packaging:
 Packing box (csomagolódoboz)
 Supply schedule:
 Socket strip (1 piece)
 Mounting bracket (2 pieces) 3.768.2608
 User manual (1 piece) 03.300.999.1



lásd 2. lap / See page 2.
 A belső vezetékezés komponensei. / Components of internal wiring.

Material Sheet 1/2		General tolerances ISO 2768-m		Finish Date: 27.02.2017 Name: Kovács		Description DIS-EDC 4P5W-16A 60	
Dimensions in mm 		Date 27.02.2017		Name Kovács		Drawing no. 03.606.506.1	
Scale 1:1		Checked 27.02.2017		Approved		Gross weight 1,76 kg	
Rev. B 18230 03.10.17 Kovács		Net weight 1,55 kg		External dimensions of packing box 680x60x100 mm		File:	

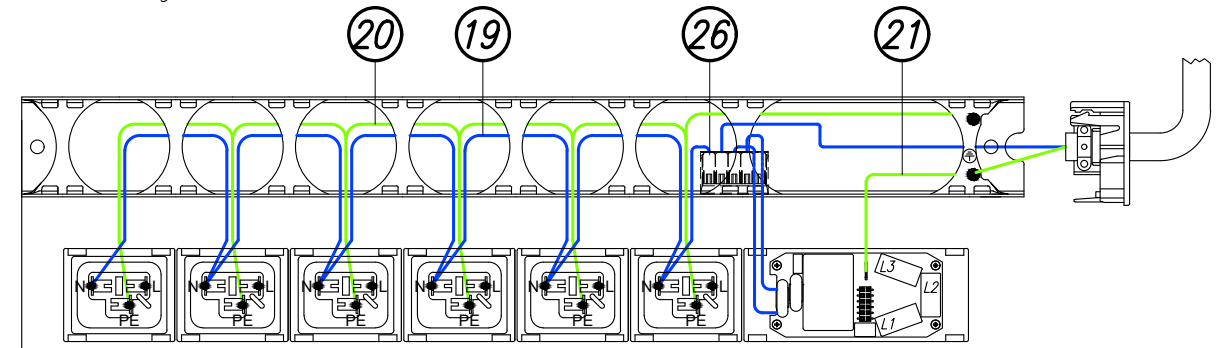
Weitergabe sowie Vervielfältigung dieser Unterlage, Verwertung und Mitteilung ihres Inhalts nicht gestattet, soweit nicht ausdrücklich zugestanden. Alle Rechte vorbehalten.

Disclosure and photocopying of this document, exploitation and communication of its contents are not permitted, unless permission is expressly granted. All rights are reserved.

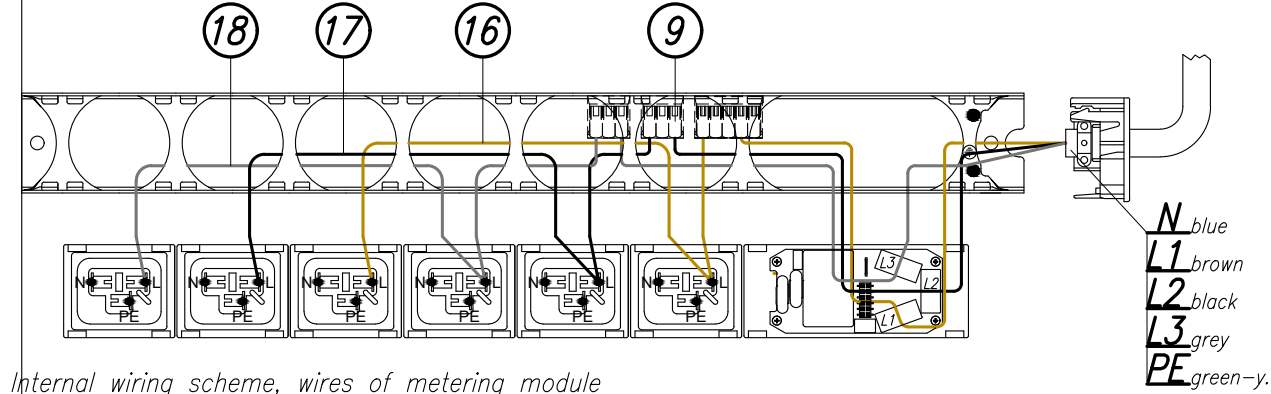
DI-STRIP

Weitergabe sowie Vervielfältigung dieser Unterlage, Verwertung und Mitteilung ihres Inhalts nicht gestattet, soweit nicht ausdrücklich zugestanden. Alle Rechte vorbehalten.

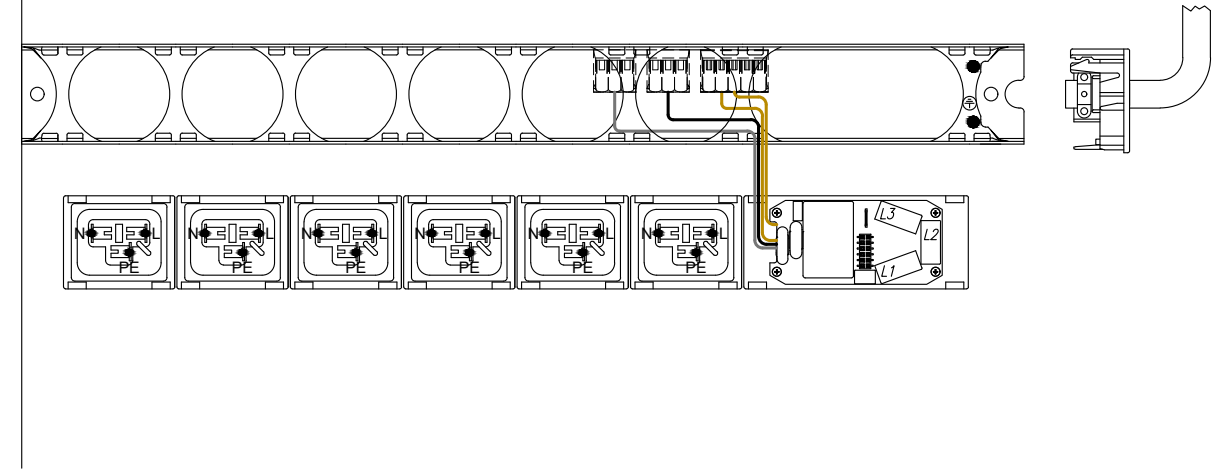
Internal wiring scheme, PE and neutral wires



Internal wiring scheme, phase wires



Internal wiring scheme, wires of metering module



16	1	EA	Vezeték barna 2,5mm ²	Electric cord brown	03.867.019.1.018	-	L=272
17	1	EA	Vezeték fekete 2,5mm ²	Electric cord black	03.867.019.1.019	-	L=312
18	1	EA	Vezeték szürke 2,5mm ²	Electric cord grey	03.867.019.1.020	-	L=372
19	1	EA	Vezeték kék 2,5mm ²	Electric cord blue	03.867.019.1.021	-	L=546
20	1	EA	Vezeték zöld-sárga 2,5mm ²	Electric cord green-yellow	03.867.019.1.022	-	L=646
21	1	EA	Vezeték zöld-sárga 2,5mm ²	Electric cord green-yellow	03.868.010.1.001	-	L=100(EO-SZ6.3)

A belső vezetékvezés komponensei. / Components of internal wiring.

<p>Dimensions in mm</p>		General tolerances		Finish	Material	Sheet									
		ISO 2768-m				2/2									
<table border="1"> <tr> <td>Drawn</td> <td>27.02.2017</td> <td>Kovács</td> </tr> <tr> <td>Checked</td> <td>27.02.2017</td> <td>Szabó</td> </tr> <tr> <td>Approved</td> <td></td> <td></td> </tr> </table>		Drawn	27.02.2017	Kovács	Checked	27.02.2017	Szabó	Approved			Date		Name	Description	
		Drawn	27.02.2017	Kovács											
		Checked	27.02.2017	Szabó											
Approved															
				DIS-EDC 4P5W-16A 60											
<table border="1"> <tr> <td>Rev.</td> <td>Change</td> <td>Date</td> <td>Name</td> </tr> <tr> <td>B</td> <td>18230</td> <td>03.10.17</td> <td>Kovács</td> </tr> </table>		Rev.	Change	Date	Name	B	18230	03.10.17	Kovács			Drawing no.		Scale	
Rev.	Change	Date	Name												
B	18230	03.10.17	Kovács												
		03.606.506.1													
		Gross weight	Net weight	External dimensions of packing box											
		kg	kg	mm											
Platine:		File:													